

# 1000 BASE-T MAGNETICS MODULES

Designed to Support 1:1 Turns Ratio Transceivers

**Features :**

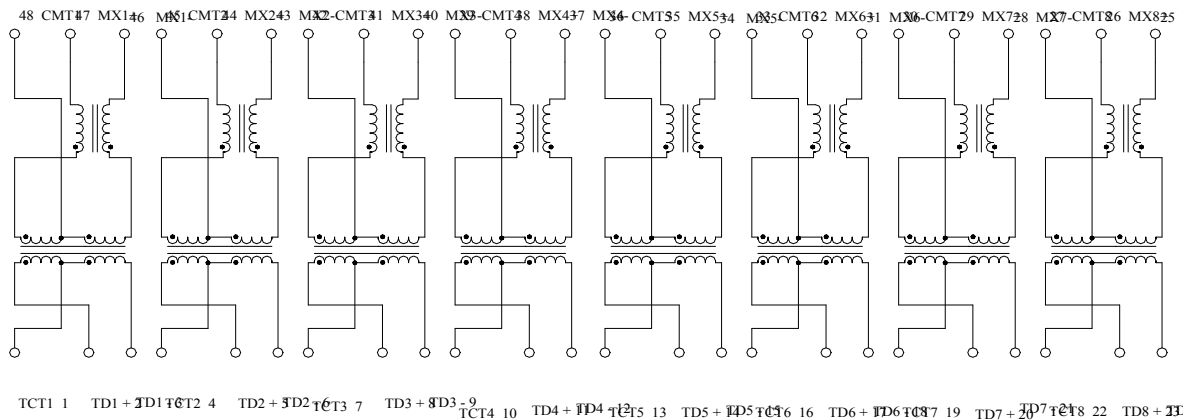
- 1) Designed for long haul Gigabit Ethernet 1000BASE-T full duplex applications .
- 2) Supports 4 pairs of category 5 UTP cable .
- 3) Cable interface for isolation and low common mode emissions .
- 4) Compliant with IEEE 802.3ab standard for 1000 Base-T.
- 5) Minimum 1500Vrms isolation per IEEE 802.3 requirement
- 6) IC grade transfer-molded package withstands 235°C peak temperature profile

## FW-35014S

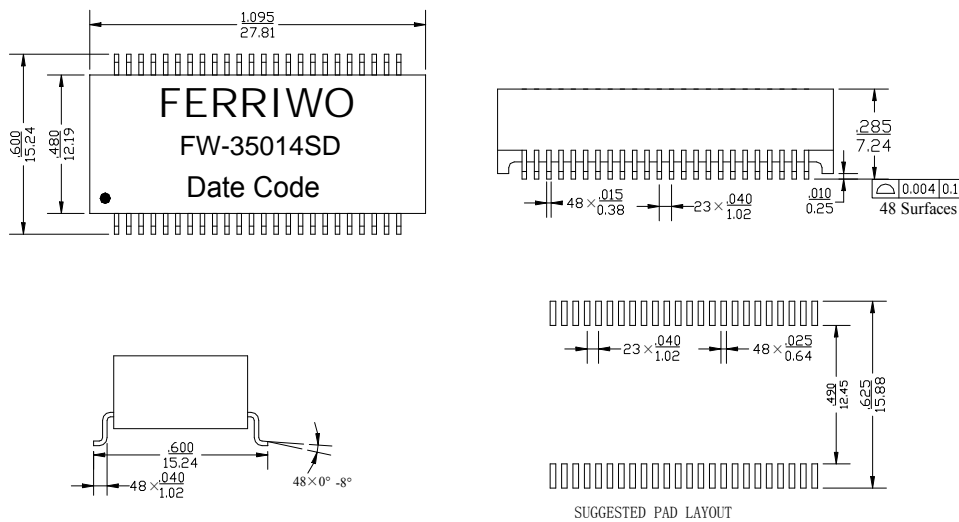
**A ) Electrical Specifications @ 25°C --- Operating temperature 0°C To 70°C .**

Insertion Loss (dB Max.)	Return Loss (dB Min.)			DCMR (dB Min.)			Crosstalk (dB Min.)			OCL (8mAdc bias)	LL (Max.)	Cww (Max.)	DCR (Max.)	Hi pot (Min)
1~100MHz	20MHz	10~80MHz	00MHz	30MHz	50MHz	00MHz	30MHz	50MHz	00MHz	100KHz, 0.1V	00KHz, 1	00KHz, 1	25°C	0.5mA 60sec
-1.4	-16	-12	-10	-45	-40	-35	-44	-38	-33	350 uH Min.	0.4 uH	30 pF	0.7&1.2 ohm	1500Vac

**B ) Schematics**



**C ) Mechanical Dimensions ( Unit: inches / mm )**



Unless otherwise specified , all tolerances are +/- .010 / 0.25